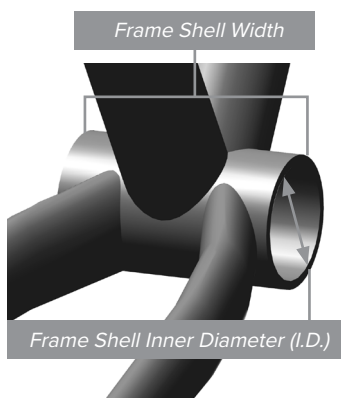




DUB: CHOOSE AN MTB BOTTOM BRACKET

Follow the chart to determine which bottom bracket works with your frame.



Is the frame shell threaded?

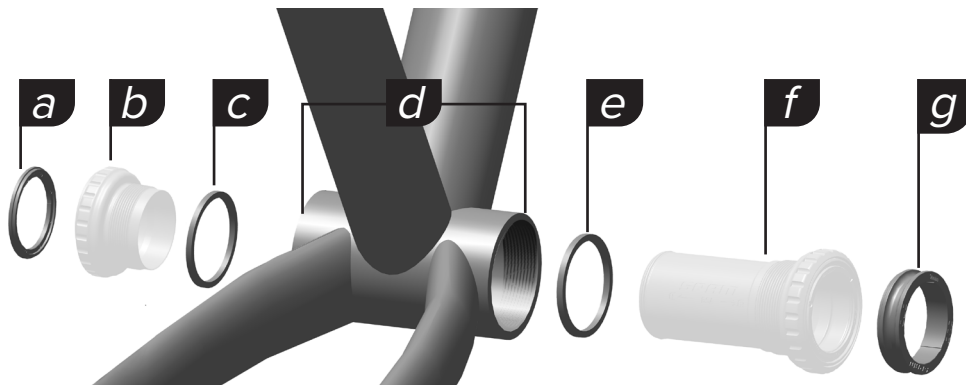
No

Yes

Frame Shell Width (mm)	Frame Shell I.D. (mm)	Crankset	Bottom Bracket Name	Part Number
73	42	MTB	DUB BB30 73 MTB DUB Ceramic BB30 73 MTB	00.6418.017.000 Ceramic: 00.6418.017.005
		MTB Wide	DUB BB30 73 MTB Wide	00.6418.017.004
	46	MTB	DUB PF30 73 MTB DUB Ceramic PF30 73 MTB	00.6418.018.000 Ceramic: 00.6418.018.007
		MTB Wide	DUB PF30 73 MTB Wide	00.6418.018.006
83	42	MTB Ai	■ DUB BB30 83 MTB Ai	00.6418.027.002
	46	MTB Ai	■ DUB PF30 83 MTB Ai	00.6418.028.003
89.5	41	MTB	DUB PF 89.5 MTB DUB Ceramic PF 89.5 MTB	00.6418.016.000 Ceramic: 00.6418.016.006
		MTB Wide	DUB PF 89.5 MTB Wide	00.6418.016.005
92	41	MTB	DUB PF 92 MTB DUB Ceramic PF 92 MTB	00.6418.016.000 Ceramic: 00.6418.016.006
		MTB Wide	DUB PF 92 MTB Wide	00.6418.016.005
		Super Boost +	DUB PF 92 SB+	00.6418.020.000
100	46	FAT	DUB PF30 100 FAT	00.6418.028.004
104.5	41	DH	DUB PF 104.5 DH	00.6418.016.002
107	41	DH	DUB PF 107 DH	00.6418.016.003
121	41	FAT	DUB PF 121 FAT	00.6418.016.001
68	English Threaded	MTB	DUB BSA 68 MTB DUB Ceramic BSA 68 MTB	00.6418.015.000 Ceramic: 00.6418.015.008
		MTB Wide	DUB BSA 68 MTB Wide	00.6418.015.005
73	English Threaded	MTB	DUB BSA 73 MTB DUB Ceramic BSA 73 MTB	00.6418.015.000 Ceramic: 00.6418.015.008
		MTB Wide	DUB BSA 73 MTB Wide	00.6418.015.005
		Super Boost +	DUB BSA 73 SB+	00.6418.019.000
		MTB Ai	■ DUB BSA 73 MTB Ai	00.6418.031.001
73 with Chain Guide	English Threaded	MTB	DUB BSA 73 Guide MTB	00.6418.015.000 Ceramic: 00.6418.015.008
		MTB Wide	DUB BSA 73 Guide MTB Wide	00.6418.015.005
		Super Boost +	DUB BSA 73 Guide SB+	00.6418.021.000
83	English Threaded	DH	DUB BSA 83 DH	00.6418.015.002
		MTB Ai	■ DUB BSA 83 MTB Ai	00.6418.031.000
100	English Threaded	FAT	DUB BSA 100 FAT	00.6418.015.001

■ Cannondale® only

DUB™ MTB CRANKSET BOTTOM BRACKET SPACERS



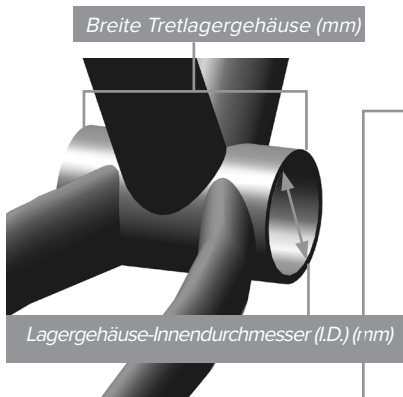
- a. Outer left, non-drive side spacer
- b. Left side cup
- c. Inner left, non-drive side spacer
- d. Frame shell width
- e. Inner right, drive side spacer
- f. Right side cup and center tube
- g. Outer right, drive side spacer

Frame Shell Interface and Width (mm)	Crankset	Outer Left Spacer (mm)	Inner Left Spacer (mm)	Inner Right Spacer (mm)	Outer Right Spacer (mm)	
BSA	68	MTB	-	2.5	2.5	4.5
		MTB Wide	3	2.5	2.5	7.5
	73	MTB	-	-	-	4.5
		MTB Wide	3	-	-	7.5
		Super Boost +	4.5	-	-	9
	73 Ai	MTB Ai	2.5	2.5	-	10.5
	73 with Chain Guide	MTB	-	-	Chain Guide	2
		MTB Wide	3	-	Chain Guide	5
		Super Boost +	4.5	-	Chain Guide	6.5
	83	DH	-	2.5	2.5	4.5
	83 Ai	MTB Ai	-	-	-	5.5
100	Fat	2	2.5	2.5	6	
PressFit	89.5	MTB	-	-	-	4.5
		MTB Wide	3	-	-	7.5
	92	MTB	-	-	-	2
		Super Boost +	4.5	-	-	6.5
		MTB Wide	3	-	-	5
	104.5	DH	-	-	-	4.5
	107	DH	-	-	-	2
121	Fat	2	-	-	6	
PressFit 30	73	MTB	-	-	-	4.5
		MTB Wide	3	-	-	7.5
	83	DH	3	-	-	6.5
	83 Ai	MTB Ai	-	-	-	5.5
	100	Fat	4.5	-	-	8.5
BB30	73	MTB	-	-	-	4.5
		MTB Wide	3	-	-	7.5
	83 Ai	MTB Ai	-	-	-	5.5



DUB: MTB TRETLAGER AUSWÄHLEN

Die Tabelle zeigt, welches Tretlager zu Ihrem Rahmen passt.



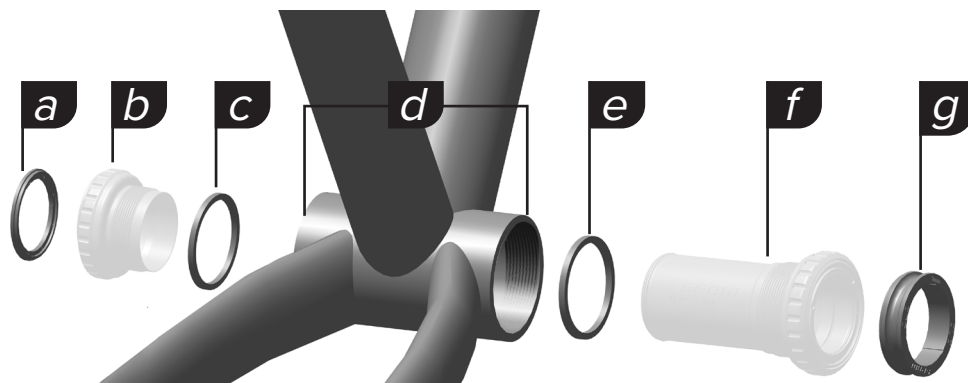
Breite Tretlagergehäuse (mm)	Lagergehäuse-Innendurchmesser (mm)	Kurbelgarnitur	Innenlager Bezeichnung	Teilenummer	
73	42	MTB	DUB BB30 73 MTB DUB Ceramic BB30 73 MTB	00.6418.017.000 Ceramic: 00.6418.017.005	
		MTB Wide	DUB BB30 73 MTB Wide	00.6418.017.004	
	46	MTB	DUB PF30 73 MTB DUB Ceramic PF30 73 MTB	00.6418.018.000 Ceramic: 00.6418.018.007	
		MTB Wide	DUB PF30 73 MTB Wide	00.6418.018.006	
83	42	MTB Ai	■ DUB BB30 83 MTB Ai	00.6418.027.002	
	46	MTB Ai	■ DUB PF30 83 MTB Ai	00.6418.028.003	
89.5	41	MTB	DUB PF 89.5 MTB DUB Ceramic PF 89.5 MTB	00.6418.016.000 Ceramic: 00.6418.016.006	
		MTB Wide	DUB PF 89.5 MTB Wide	00.6418.016.005	
92	41	MTB	DUB PF 92 MTB DUB Ceramic PF 92 MTB	00.6418.016.000 Ceramic: 00.6418.016.006	
		MTB Wide	DUB PF 92 MTB Wide	00.6418.016.005	
		Super Boost +	DUB PF 92 SB+	00.6418.020.000	
100	46	FAT	DUB PF30 100 FAT	00.6418.028.004	
104.5	41	DH	DUB PF 104.5 DH	00.6418.016.002	
107	41	DH	DUB PF 107 DH	00.6418.016.003	
121	41	FAT	DUB PF 121 FAT	00.6418.016.001	
Ist die Lagergehäuse mit Gewinde versehen?	68	Englisches Gewinde/ BSA	MTB	DUB BSA 68 MTB DUB Ceramic BSA 68 MTB	00.6418.015.000 Ceramic: 00.6418.015.008
			MTB Wide	DUB BSA 68 MTB Wide	00.6418.015.005
	73	Englisches Gewinde/ BSA	MTB	DUB BSA 73 MTB DUB Ceramic BSA 73 MTB	00.6418.015.000 Ceramic: 00.6418.015.008
			MTB Wide	DUB BSA 73 MTB Wide	00.6418.015.005
			Super Boost +	DUB BSA 73 SB+	00.6418.019.000
			MTB Ai	■ DUB BSA 73 MTB Ai	00.6418.031.001
	73 with Chain Guide	Englisches Gewinde/ BSA	MTB	DUB BSA 73 Guide MTB	00.6418.015.000 Ceramic: 00.6418.015.008
			MTB Wide	DUB BSA 73 Guide MTB Wide	00.6418.015.005
			Super Boost +	DUB BSA 73 Guide SB+	00.6418.021.000
	83	Englisches Gewinde/ BSA	DH	DUB BSA 83 DH	00.6418.015.002
MTB Ai			■ DUB BSA 83 MTB Ai	00.6418.031.000	
100	Englisches Gewinde/ BSA	FAT	DUB BSA 100 FAT	00.6418.015.001	

Nein

Ja

Ist die Lagergehäuse mit Gewinde versehen?

INNENLAGER-DISTANZSTÜCKE FÜR DUB™-KURBELGARNITUR



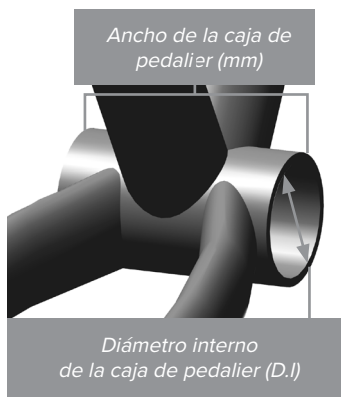
- a. Distanzstück, Nicht-Antriebsseite, außen links
- b. Linke Lagerschale
- c. Distanzstück, Nicht-Antriebsseite, innen links
- d. Breite Tretlagergehäuse
- e. Distanzstück, Antriebsseite, innen rechts
- f. Rechte Lagerschale und Innenlagerhülse
- g. Distanzstück, Antriebsseite, außen rechts

Ausführung und Breite Tretlagergehäuse (mm)		Kurbelgarnitur	Distanzstück, außen links (mm)	Distanzstück, innen links (mm)	Distanzstück, innen rechts (mm)	Distanzstück, außen rechts (mm)
BSA	68	MTB	-	2.5	2.5	4.5
		MTB Wide	3	2.5	2.5	7.5
	73	MTB	-	-	-	4.5
		MTB Wide	3	-	-	7.5
		Super Boost +	4.5	-	-	9
	73 Ai	MTB Ai	2.5	2.5	-	10.5
	73 with Chain Guide	MTB	-	-	Kettenführung	2
		MTB Wide	3	-	Kettenführung	5
		Super Boost +	4.5	-	Kettenführung	6.5
	83	DH	-	2.5	2.5	4.5
	83 Ai	MTB Ai	-	-	-	5.5
100	Fat	2	2.5	2.5	6	
PressFit	89.5	MTB	-	-	-	4.5
		MTB Wide	3	-	-	7.5
	92	MTB	-	-	-	2
		Super Boost +	4.5	-	-	6.5
	104.5	MTB Wide	3	-	-	5
		DH	-	-	-	4.5
	107	DH	-	-	-	2
121	Fat	2	-	-	6	
PressFit 30	73	MTB	-	-	-	4.5
		MTB Wide	3	-	-	7.5
	83	DH	3	-	-	6.5
	83 Ai	MTB Ai	-	-	-	5.5
	100	Fat	4.5	-	-	8.5
BB30	73	MTB	-	-	-	4.5
		MTB Wide	3	-	-	7.5
	83 Ai	MTB Ai	-	-	-	5.5



DUB™: ELECCIÓN DEL PEDALIER MTB

Sigue las instrucciones del gráfico para saber qué pedalier encaja en tu cuadro.



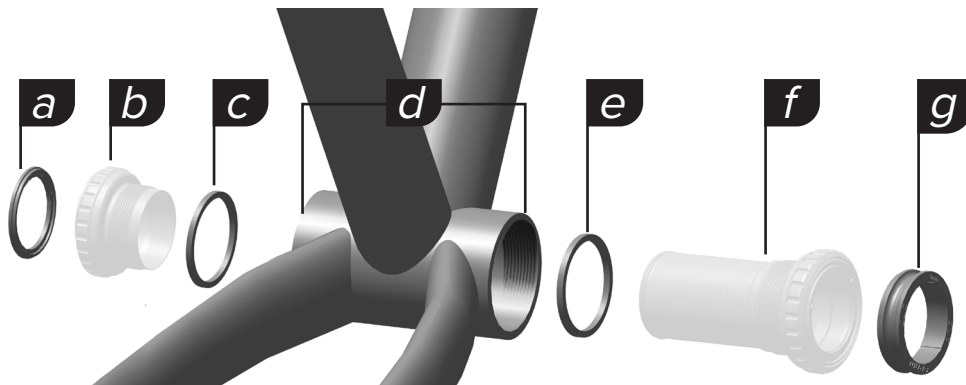
¿La caja de pedalier es estriada?

No

Sí

Ancho de la caja de pedalier (mm)	Diámetro interno de la caja de pedalier (mm)	Conjunto de bielas	Pedalier	Nº de pieza
73	42	MTB	DUB BB30 73 MTB DUB Ceramic BB30 73 MTB	00.6418.017.000 Ceramic: 00.6418.017.005
		MTB Wide	DUB BB30 73 MTB Wide	00.6418.017.004
	46	MTB	DUB PF30 73 MTB DUB Ceramic PF30 73 MTB	00.6418.018.000 Ceramic: 00.6418.018.007
		MTB Wide	DUB PF30 73 MTB Wide	00.6418.018.006
83	42	MTB Ai	■ DUB BB30 83 MTB Ai	00.6418.027.002
	46	MTB Ai	■ DUB PF30 83 MTB Ai	00.6418.028.003
89.5	41	MTB	DUB PF 89.5 MTB DUB Ceramic PF 89.5 MTB	00.6418.016.000 Ceramic: 00.6418.016.006
		MTB Wide	DUB PF 89.5 MTB Wide	00.6418.016.005
92	41	MTB	DUB PF 92 MTB DUB Ceramic PF 92 MTB	00.6418.016.000 Ceramic: 00.6418.016.006
		MTB Wide	DUB PF 92 MTB Wide	00.6418.016.005
		Super Boost +	DUB PF 92 SB+	00.6418.020.000
100	46	FAT	DUB PF30 100 FAT	00.6418.028.004
104.5	41	DH	DUB PF 104.5 DH	00.6418.016.002
107	41	DH	DUB PF 107 DH	00.6418.016.003
121	41	FAT	DUB PF 121 FAT	00.6418.016.001
68	Rosca inglesa	MTB	DUB BSA 68 MTB DUB Ceramic BSA 68 MTB	00.6418.015.000 Ceramic: 00.6418.015.008
		MTB Wide	DUB BSA 68 MTB Wide	00.6418.015.005
73	Rosca inglesa	MTB	DUB BSA 73 MTB DUB Ceramic BSA 73 MTB	00.6418.015.000 Ceramic: 00.6418.015.008
		MTB Wide	DUB BSA 73 MTB Wide	00.6418.015.005
		Super Boost +	DUB BSA 73 SB+	00.6418.019.000
		MTB Ai	■ DUB BSA 73 MTB Ai	00.6418.031.001
73 with Chain Guide	Rosca inglesa	MTB	DUB BSA 73 Guide MTB	00.6418.015.000 Ceramic: 00.6418.015.008
		MTB Wide	DUB BSA 73 Guide MTB Wide	00.6418.015.005
		Super Boost +	DUB BSA 73 Guide SB+	00.6418.021.000
83	Rosca inglesa	DH	DUB BSA 83 DH	00.6418.015.002
		MTB Ai	■ DUB BSA 83 MTB Ai	00.6418.031.000
100	Rosca inglesa	FAT	DUB BSA 100 FAT	00.6418.015.001

ESPACIADORES DE PLATO Y PEDALIER DUB™



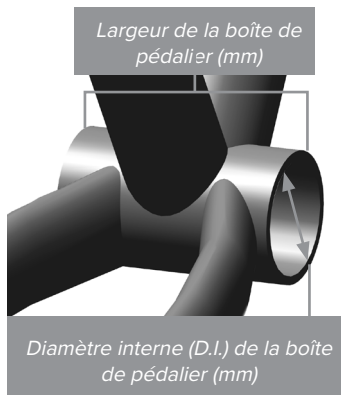
- a. Espaciador externo izquierdo del lado contrario a la transmisión
- b. Cazoleta del lado izquierdo
- c. Espaciador interno izquierdo del lado contrario a la transmisión
- d. Ancho de la caja de pedalier
- e. Espaciador interno derecho del lado de la transmisión
- f. Cazoleta del lado derecho y eje central
- g. Espaciador externo derecho del lado de la transmisión

Interfaz y ancho (mm) de la caja del cuadro		Conjunto de bielas	Espaciador externo izquierdo (mm)	Espaciador interno izquierdo (mm)	Espaciador interno derecho (mm)	Espaciador externo derecho (mm)
BSA	68	MTB	-	2.5	2.5	4.5
		MTB Wide	3	2.5	2.5	7.5
	73	MTB	-	-	-	4.5
		MTB Wide	3	-	-	7.5
		Super Boost +	4.5	-	-	9
	73 Ai	MTB Ai	2.5	2.5	-	10.5
	73 con cadena guía	MTB	-	-	Cadena guía	2
		MTB Wide	3	-	Cadena guía	5
		Super Boost +	4.5	-	Cadena guía	6.5
	83	DH	-	2.5	2.5	4.5
	83 Ai	MTB Ai	-	-	-	5.5
100	Fat	2	2.5	2.5	6	
PressFit	89.5	MTB	-	-	-	4.5
		MTB Wide	3	-	-	7.5
	92	MTB	-	-	-	2
		Super Boost +	4.5	-	-	6.5
		MTB Wide	3	-	-	5
	104.5	DH	-	-	-	4.5
	107	DH	-	-	-	2
121	Fat	2	-	-	6	
PressFit 30	73	MTB	-	-	-	4.5
		MTB Wide	3	-	-	7.5
	83	DH	3	-	-	6.5
	83 Ai	MTB Ai	-	-	-	5.5
	100	Fat	4.5	-	-	8.5
BB30	73	MTB	-	-	-	4.5
		MTB Wide	3	-	-	7.5
	83 Ai	MTB Ai	-	-	-	5.5



DUB™: CHOISIR LE BON BOÎTIER DE PÉDALIER VTT

Suivez le guide ci-dessous pour déterminer quel boîtier de pédalier est adapté à votre cadre.



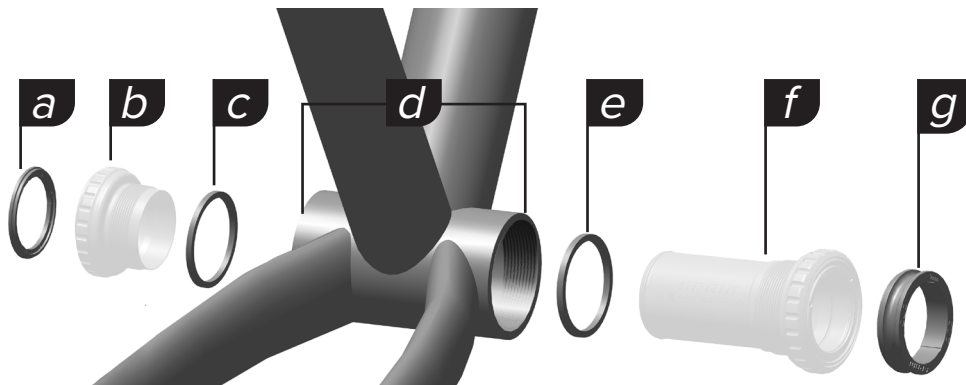
Est-ce que la boîte de pédalier est filetée?

Non

Oui

Largueur de la boîte de pédalier (mm)	D.I. de la boîte de pédalier (mm)	Pédalier	Nom du boîtier de pédalier	Número d'article
73	42	MTB	DUB BB30 73 MTB DUB Ceramic BB30 73 MTB	00.6418.017.000 Ceramic: 00.6418.017.005
		MTB Wide	DUB BB30 73 MTB Wide	00.6418.017.004
	46	MTB	DUB PF30 73 MTB DUB Ceramic PF30 73 MTB	00.6418.018.000 Ceramic: 00.6418.018.007
		MTB Wide	DUB PF30 73 MTB Wide	00.6418.018.006
83	42	MTB Ai	■ DUB BB30 83 MTB Ai	00.6418.027.002
	46	MTB Ai	■ DUB PF30 83 MTB Ai	00.6418.028.003
89.5	41	MTB	DUB PF 89.5 MTB DUB Ceramic PF 89.5 MTB	00.6418.016.000 Ceramic: 00.6418.016.006
		MTB Wide	DUB PF 89.5 MTB Wide	00.6418.016.005
92	41	MTB	DUB PF 92 MTB DUB Ceramic PF 92 MTB	00.6418.016.000 Ceramic: 00.6418.016.006
		MTB Wide	DUB PF 92 MTB Wide	00.6418.016.005
		Super Boost +	DUB PF 92 SB+	00.6418.020.000
100	46	FAT	DUB PF30 100 FAT	00.6418.028.004
104.5	41	DH	DUB PF 104.5 DH	00.6418.016.002
107	41	DH	DUB PF 107 DH	00.6418.016.003
121	41	FAT	DUB PF 121 FAT	00.6418.016.001
68	Filetage anglais	MTB	DUB BSA 68 MTB DUB Ceramic BSA 68 MTB	00.6418.015.000 Ceramic: 00.6418.015.008
		MTB Wide	DUB BSA 68 MTB Wide	00.6418.015.005
73	Filetage anglais	MTB	DUB BSA 73 MTB DUB Ceramic BSA 73 MTB	00.6418.015.000 Ceramic: 00.6418.015.008
		MTB Wide	DUB BSA 73 MTB Wide	00.6418.015.005
		Super Boost +	DUB BSA 73 SB+	00.6418.019.000
		MTB Ai	■ DUB BSA 73 MTB Ai	00.6418.031.001
73 with Chain Guide	Filetage anglais	MTB	DUB BSA 73 Guide MTB	00.6418.015.000 Ceramic: 00.6418.015.008
		MTB Wide	DUB BSA 73 Guide MTB Wide	00.6418.015.005
		Super Boost +	DUB BSA 73 Guide SB+	00.6418.021.000
83	Filetage anglais	DH	DUB BSA 83 DH	00.6418.015.002
		MTB Ai	■ DUB BSA 83 MTB Ai	00.6418.031.000
100	Filetage anglais	FAT	DUB BSA 100 FAT	00.6418.015.001

ENTRETOISES POUR JEU DE PÉDALIER DUB™



- a. Entretoise extérieure gauche, côté opposé à la chaîne
- b. Cuvette de gauche
- c. Entretoise intérieure gauche, côté opposé à la chaîne
- d. Largeur du boîtier de cadre
- e. Entretoise intérieure droite, côté de la chaîne
- f. Cuvette de droite et tube central
- g. Entretoise extérieure droite, côté de la chaîne

Interface du boîtier de cadre et largeur (mm)		Pédalier	Entretoise extérieure gauche (mm)	Entretoise intérieure gauche (mm)	Entretoise intérieure droite (mm)	Entretoise extérieure droite (mm)
BSA	68	MTB	-	2.5	2.5	4.5
		MTB Wide	3	2.5	2.5	7.5
	73	MTB	-	-	-	4.5
		MTB Wide	3	-	-	7.5
		Super Boost +	4.5	-	-	9
	73 Ai	MTB Ai	2.5	2.5	-	10.5
	73 avec guide de chaîne	MTB	-	-	Guide de chaîne	2
		MTB Wide	3	-	Guide de chaîne	5
		Super Boost +	4.5	-	Guide de chaîne	6.5
	83	DH	-	2.5	2.5	4.5
	83 Ai	MTB Ai	-	-	-	5.5
100	Fat	2	2.5	2.5	6	
PressFit	89.5	MTB	-	-	-	4.5
		MTB Wide	3	-	-	7.5
	92	MTB	-	-	-	2
		Super Boost +	4.5	-	-	6.5
		MTB Wide	3	-	-	5
	104.5	DH	-	-	-	4.5
	107	DH	-	-	-	2
121	Fat	2	-	-	6	
PressFit 30	73	MTB	-	-	-	4.5
		MTB Wide	3	-	-	7.5
	83	DH	3	-	-	6.5
	83 Ai	MTB Ai	-	-	-	5.5
	100	Fat	4.5	-	-	8.5
BB30	73	MTB	-	-	-	4.5
		MTB Wide	3	-	-	7.5
	83 Ai	MTB Ai	-	-	-	5.5



DUB™: COME SCEGLIERE IL MOVIMENTO CENTRALE MTB

Segui lo schema per identificare quale movimento centrale funziona con il tuo telaio.



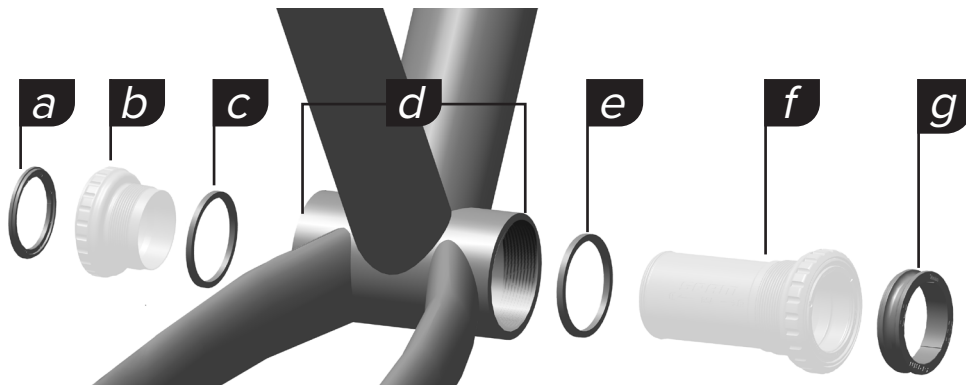
No

Sí

La scatola del movimento centrale è filettata?

Larghezza scatola movimento centrale (mm)	Diametro interno scatola movimento (mm)	Guarnitura	Denominazione Movimento Centrale	Codice
73	42	MTB	DUB BB30 73 MTB DUB Ceramic BB30 73 MTB	00.6418.017.000 Ceramic: 00.6418.017.005
		MTB Wide	DUB BB30 73 MTB Wide	00.6418.017.004
	46	MTB	DUB PF30 73 MTB DUB Ceramic PF30 73 MTB	00.6418.018.000 Ceramic: 00.6418.018.007
		MTB Wide	DUB PF30 73 MTB Wide	00.6418.018.006
83	42	MTB Ai	■ DUB BB30 83 MTB Ai	00.6418.027.002
	46	MTB Ai	■ DUB PF30 83 MTB Ai	00.6418.028.003
89.5	41	MTB	DUB PF 89.5 MTB DUB Ceramic PF 89.5 MTB	00.6418.016.000 Ceramic: 00.6418.016.006
		MTB Wide	DUB PF 89.5 MTB Wide	00.6418.016.005
92	41	MTB	DUB PF 92 MTB DUB Ceramic PF 92 MTB	00.6418.016.000 Ceramic: 00.6418.016.006
		MTB Wide	DUB PF 92 MTB Wide	00.6418.016.005
		Super Boost +	DUB PF 92 SB+	00.6418.020.000
100	46	FAT	DUB PF30 100 FAT	00.6418.028.004
104.5	41	DH	DUB PF 104.5 DH	00.6418.016.002
107	41	DH	DUB PF 107 DH	00.6418.016.003
121	41	FAT	DUB PF 121 FAT	00.6418.016.001
68	Filetto Inglese	MTB	DUB BSA 68 MTB DUB Ceramic BSA 68 MTB	00.6418.015.000 Ceramic: 00.6418.015.008
		MTB Wide	DUB BSA 68 MTB Wide	00.6418.015.005
73	Filetto Inglese	MTB	DUB BSA 73 MTB DUB Ceramic BSA 73 MTB	00.6418.015.000 Ceramic: 00.6418.015.008
		MTB Wide	DUB BSA 73 MTB Wide	00.6418.015.005
		Super Boost +	DUB BSA 73 SB+	00.6418.019.000
		MTB Ai	■ DUB BSA 73 MTB Ai	00.6418.031.001
73 with Chain Guide	Filetto Inglese	MTB	DUB BSA 73 Guide MTB	00.6418.015.000 Ceramic: 00.6418.015.008
		MTB Wide	DUB BSA 73 Guide MTB Wide	00.6418.015.005
		Super Boost +	DUB BSA 73 Guide SB+	00.6418.021.000
83	Filetto Inglese	DH	DUB BSA 83 DH	00.6418.015.002
		MTB Ai	■ DUB BSA 83 MTB Ai	00.6418.031.000
100	Filetto Inglese	FAT	DUB BSA 100 FAT	00.6418.015.001

DISTANZIALI MOVIMENTO CENTRALE PER GUARNITURE DUB™



- a. Distanziale esterno sinistro
- b. Coppetta lato sinistro
- c. Distanziale interno lato sinistro
- d. Larghezza scatola movimento centrale
- e. Distanziale interno destro, lato di guida
- f. Coppetta lato destro e tubo centrale
- g. Distanziale esterno destro

Interfaccia scatola movimento e larghezza (mm)		Guarnitura	Distanziale esterno sinistro (mm)	Distanziale interno sinistro (mm)	Distanziale interno destro (mm)	Distanziale esterno destro (mm)
BSA	68	MTB	-	2.5	2.5	4.5
		MTB Wide	3	2.5	2.5	7.5
	73	MTB	-	-	-	4.5
		MTB Wide	3	-	-	7.5
		Super Boost +	4.5	-	-	9
	73 Ai	MTB Ai	2.5	2.5	-	10.5
	73 with Chain Guide	MTB	-	-	Guida Catena	2
		MTB Wide	3	-	Guida Catena	5
		Super Boost +	4.5	-	Guida Catena	6.5
	83	DH	-	2.5	2.5	4.5
	83 Ai	MTB Ai	-	-	-	5.5
100	Fat	2	2.5	2.5	6	
PressFit	89.5	MTB	-	-	-	4.5
		MTB Wide	3	-	-	7.5
	92	MTB	-	-	-	2
		Super Boost +	4.5	-	-	6.5
	104.5	MTB Wide	3	-	-	5
		DH	-	-	-	4.5
	107	DH	-	-	-	2
121	Fat	2	-	-	6	
PressFit 30	73	MTB	-	-	-	4.5
		MTB Wide	3	-	-	7.5
	83	DH	3	-	-	6.5
	83 Ai	MTB Ai	-	-	-	5.5
	100	Fat	4.5	-	-	8.5
BB30	73	MTB	-	-	-	4.5
		MTB Wide	3	-	-	7.5
	83 Ai	MTB Ai	-	-	-	5.5